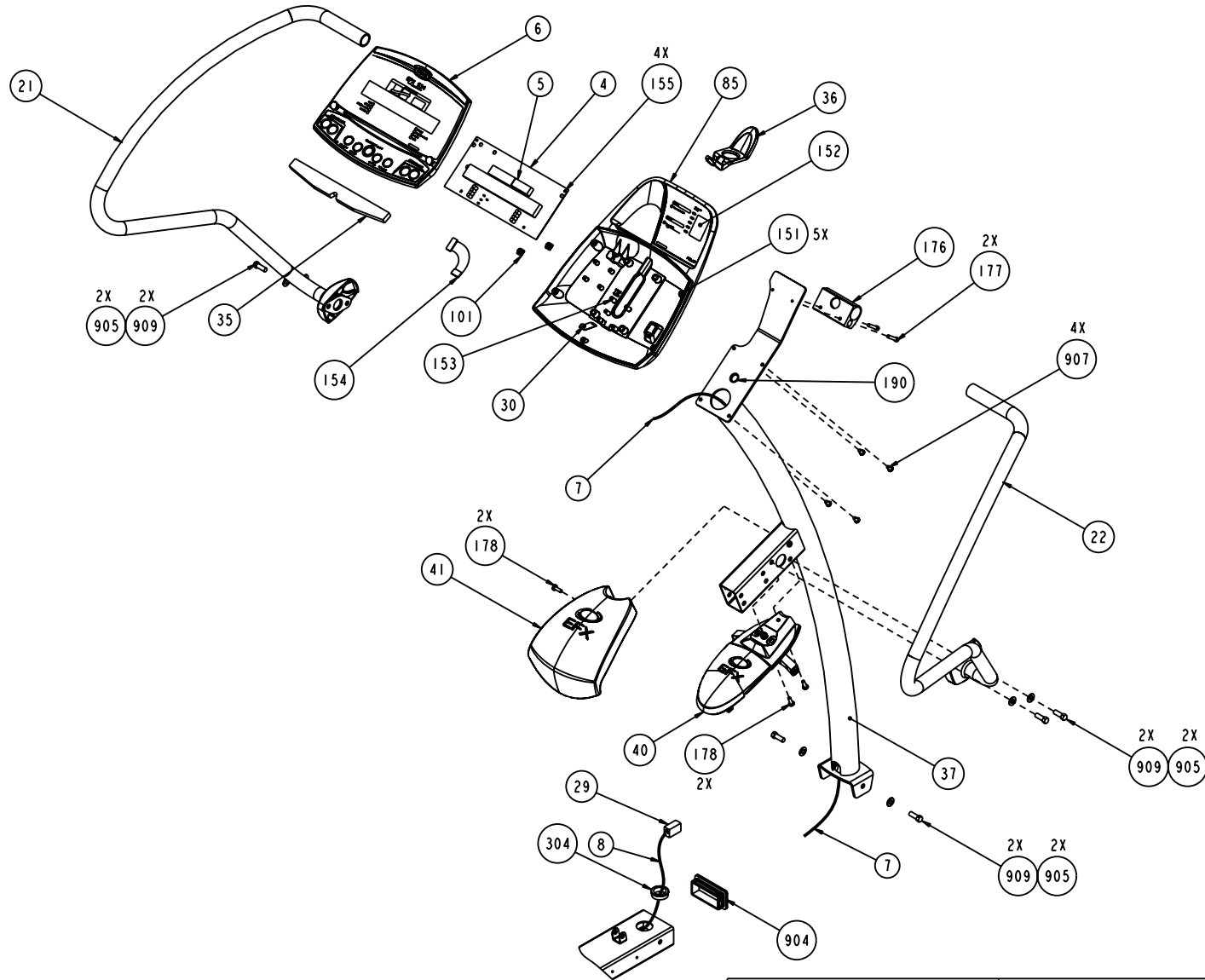
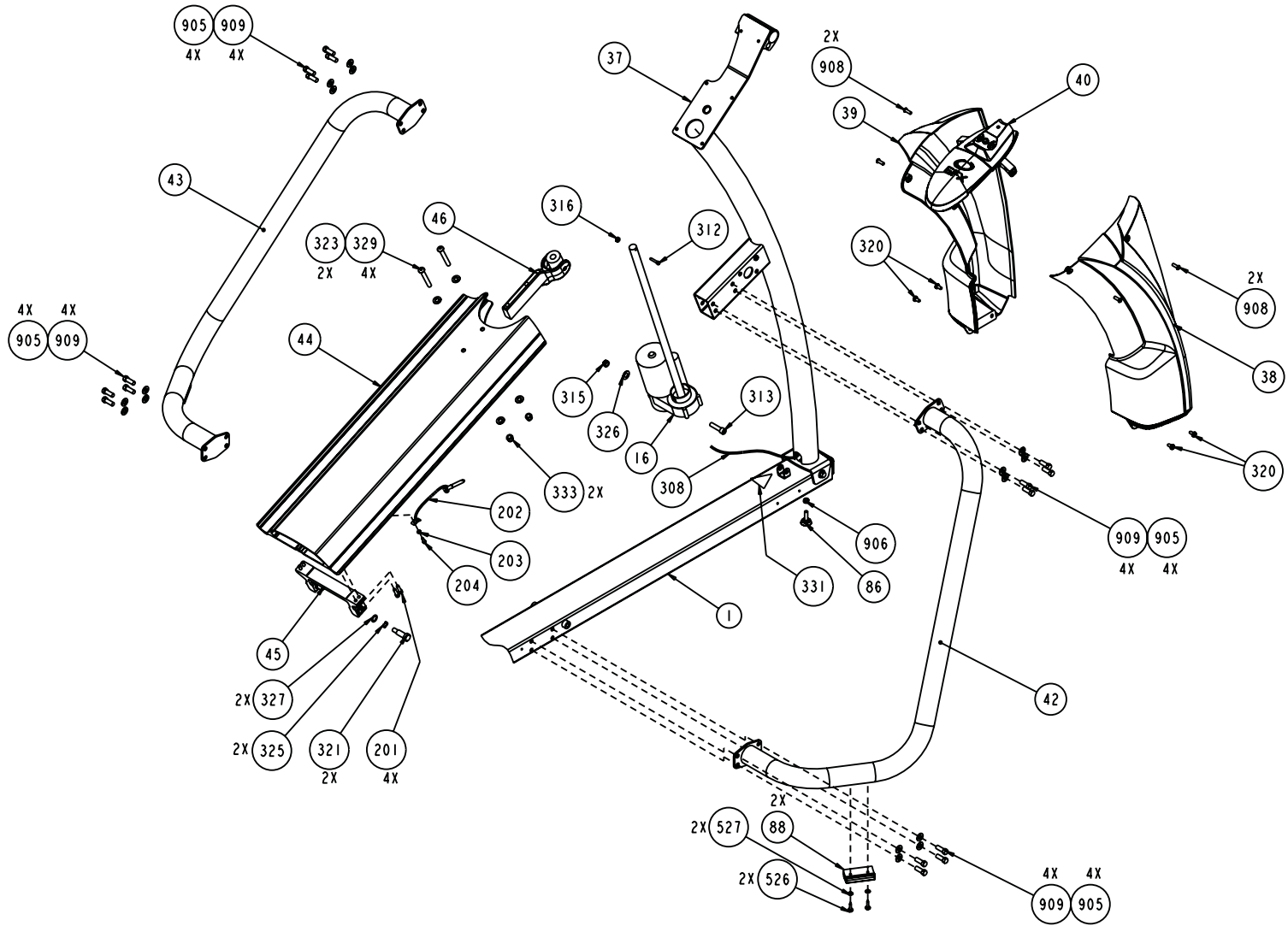


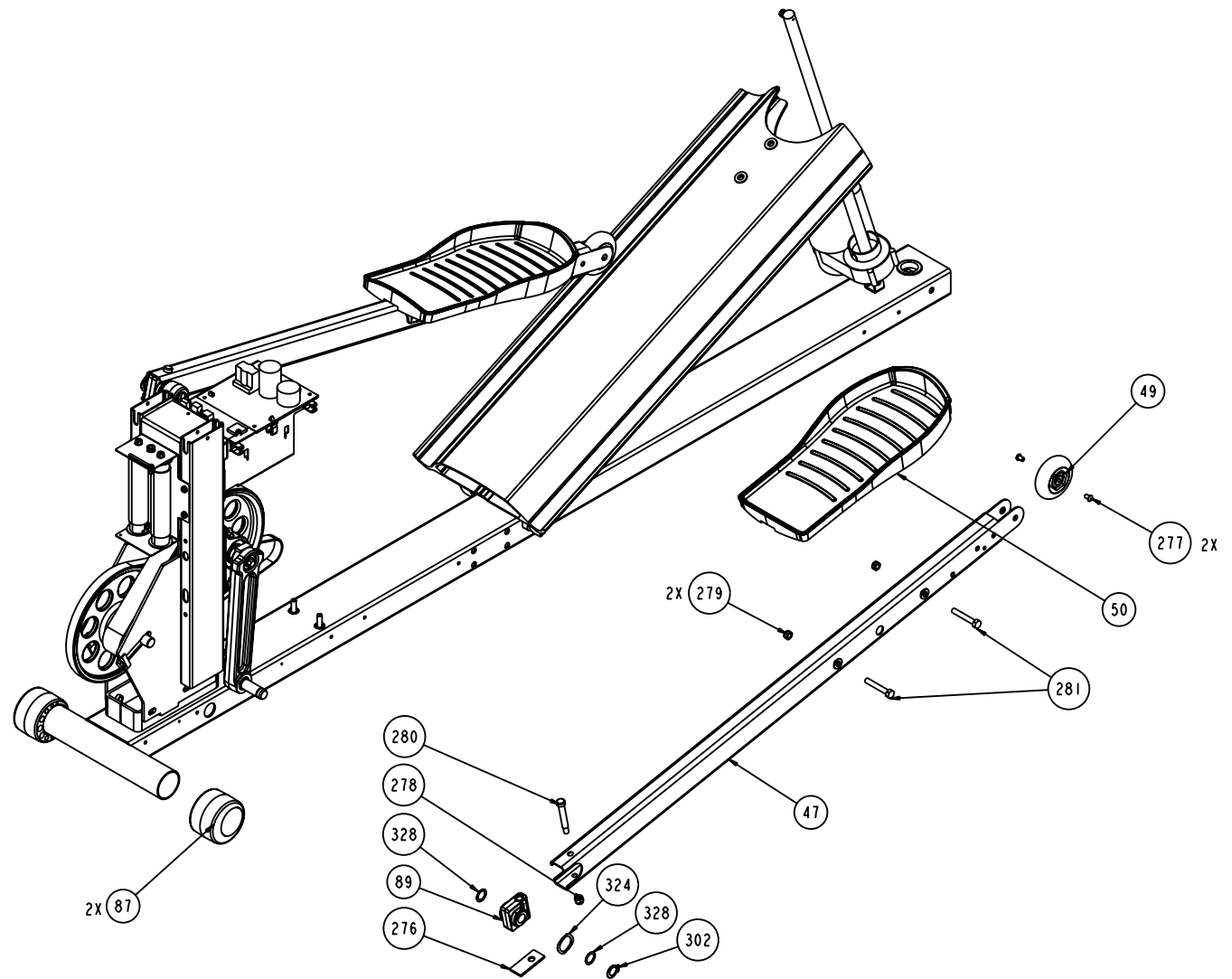
C524 SELF POWERED	P/N 45373-101	REV: K01
DRAWN BY: M.HAMILTON	DATE: 12.03.04	SHEET 1 OF 7



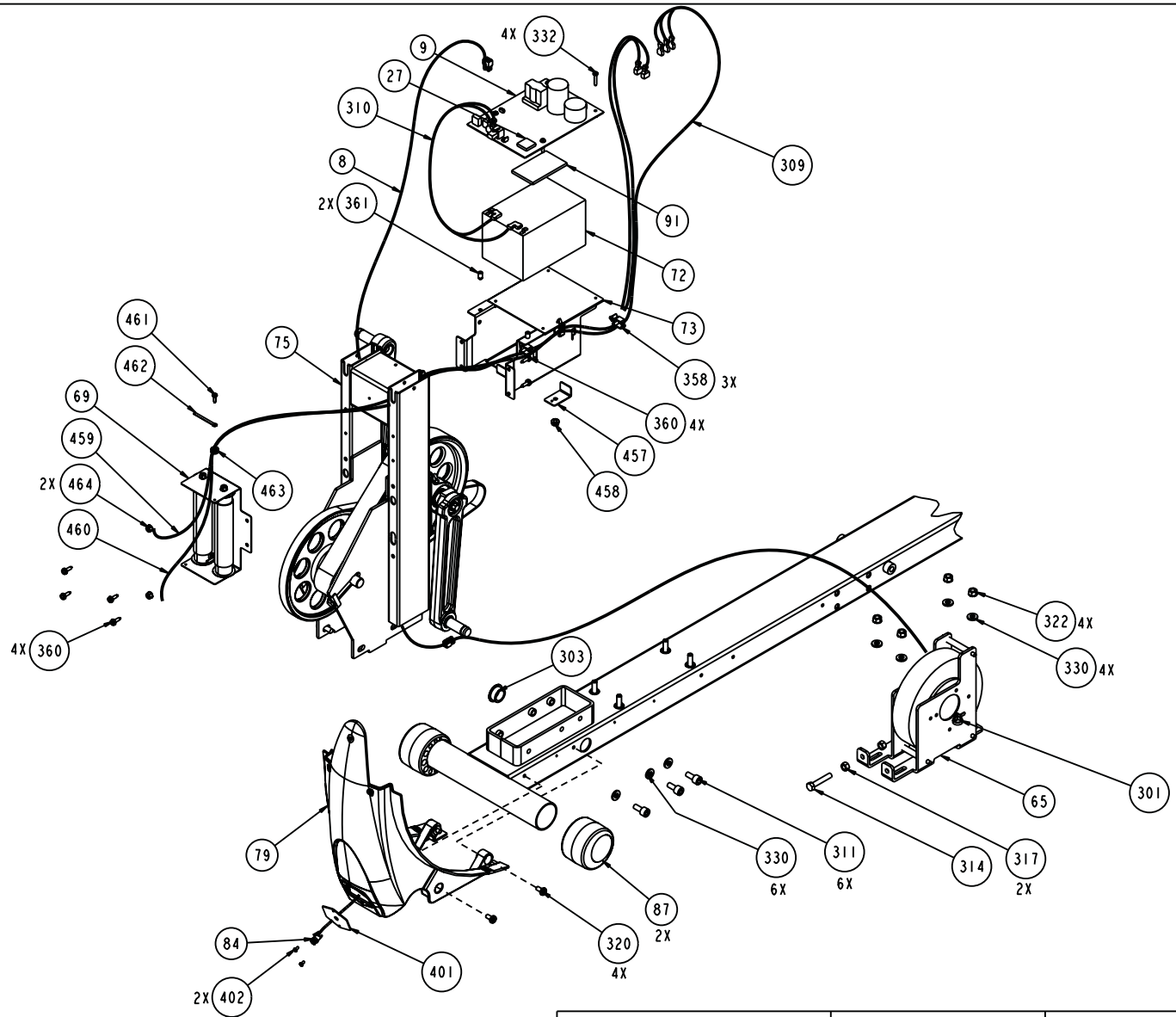
C524 SELF POWERED	P/N 45373-101	REV: K01
DRAWN BY: M.HAMILTON	DATE: 12.03.04	SHEET 2 OF 7



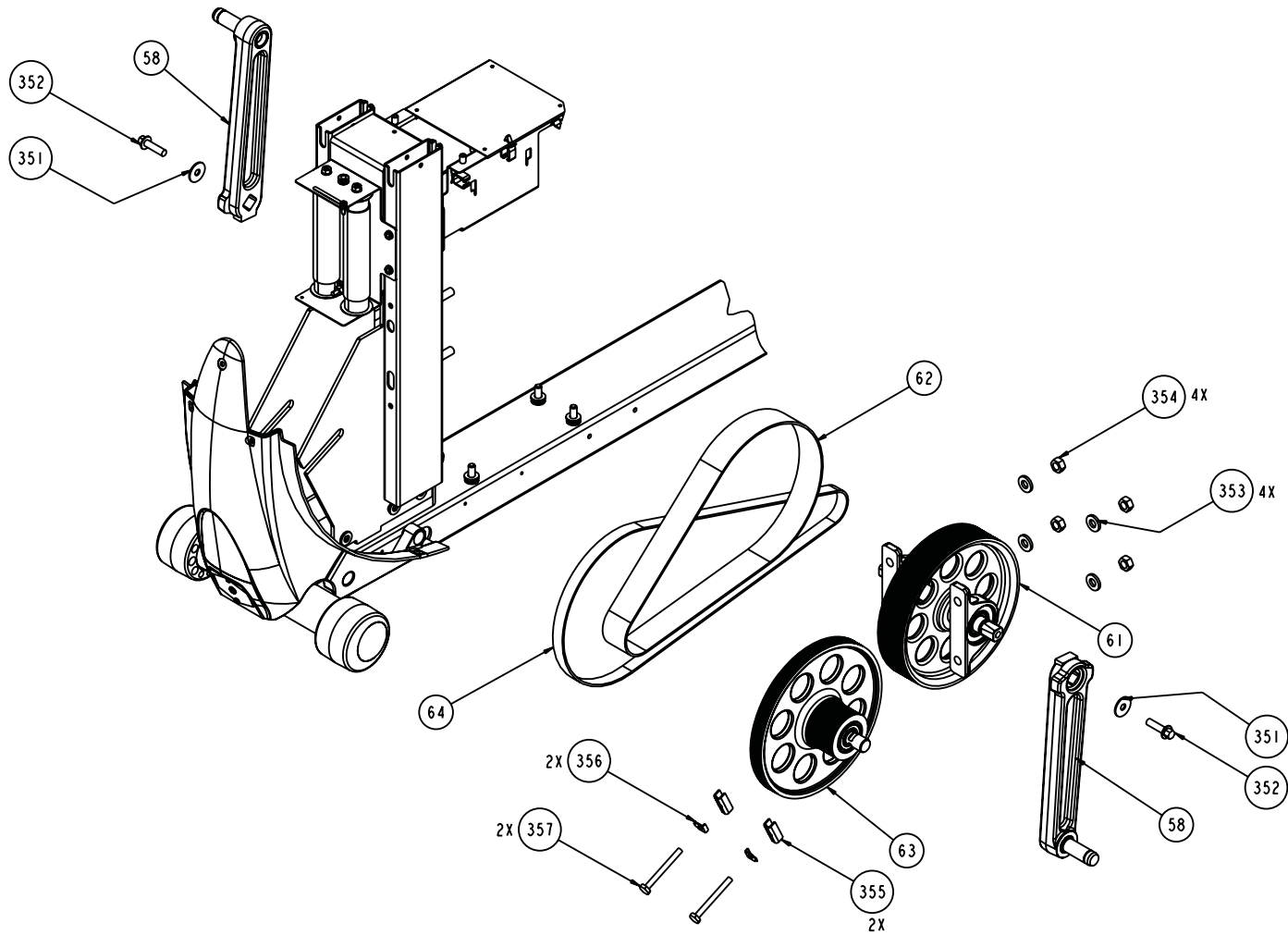
C524 SELF POWERED	P/N 45373-101	REV: K01
DRAWN BY: M.HAMILTON	DATE: 12.03.04	SHEET 3 OF 7



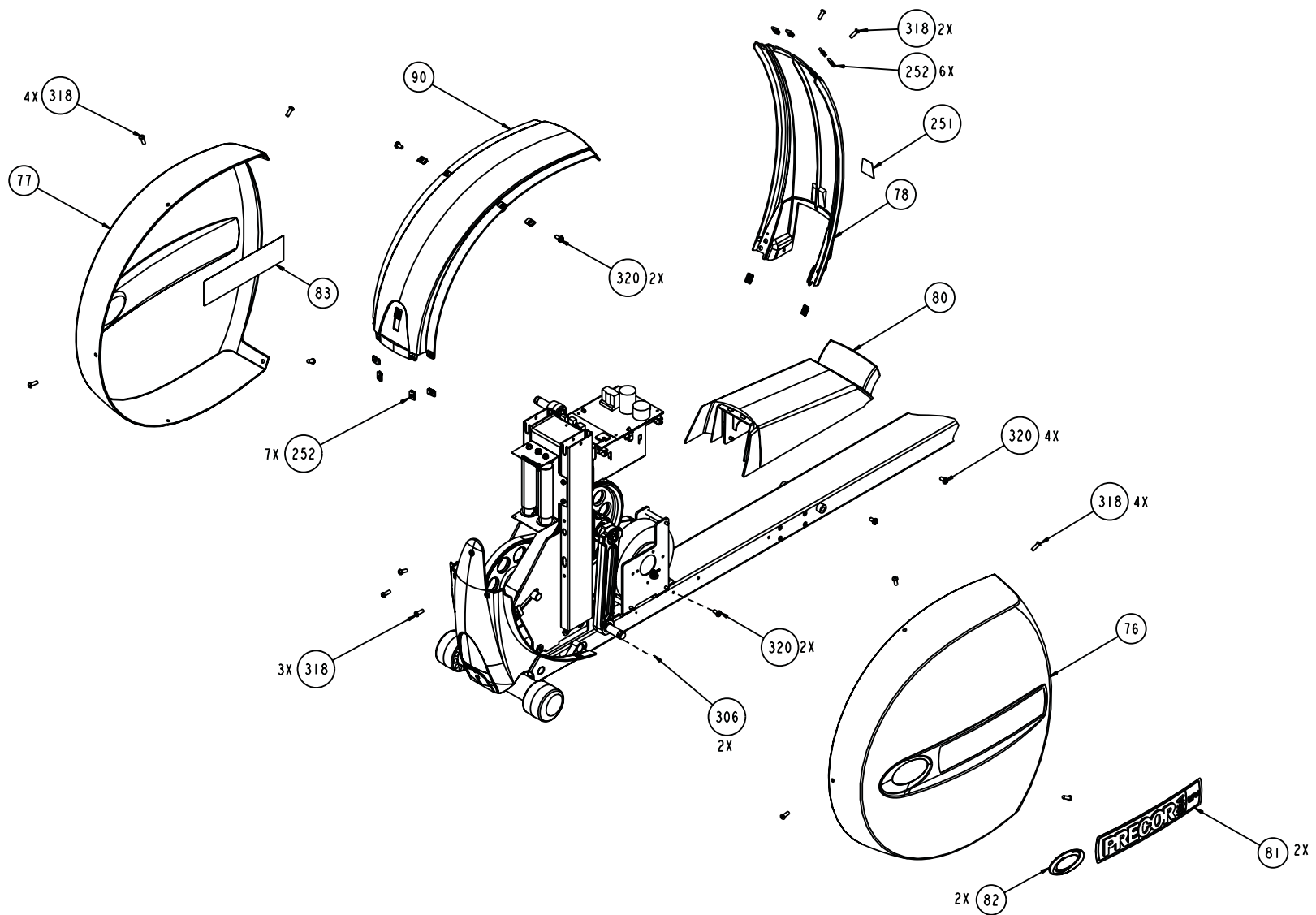
C524 SELF POWERED	P/N 45373-101	REV: K01
DRAWN BY: M.HAMILTON	DATE: 12.03.04	SHEET 4 OF 7



C524 SELF POWERED	P/N 45373-101	REV: K01
DRAWN BY: M.HAMILTON	DATE: 12.03.04	SHEET 5 OF 7



C524 SELF POWERED	P/N 45373-101	REV: K01
DRAWN BY: M.HAMILTON	DATE: 12.03.04	SHEET 6 OF 7



C524 SELF POWERED	P/N 45373-101	REV: K01
DRAWN BY: M.HAMILTON	DATE: 12.03.04	SHEET 7 OF 7

C524 (serial code I7, K7, LH)

Part Number	Description	Bubble Number
PPP00000045352101	WLDMT, LWR FRM, VERT EFX, THD, PT	1
PPP00000039024505	PCA,DISPLAY,C3	4
PPP00000045384504	ASSY,PCA&SW,C524,UPR	4.01
PPP00000045385205	PROM,C524,UPR,V2.05	5
PPP00000045374101	ASSY, DISPLAY, TOUCHSENSOR,ENG C524	6
PPP00000044905084	ASSY,CBL,MOD,8P8C,1-1,84"	7
PPP00000044905108	ASSY,CBL,MOD,8P8C,1-1,108"	8
PPP00000045066111	ASSY, LOWER PCA & SW, SELF POWER EF	9
PPP00000045146203	ACTUATOR, LIFT,SELF POWERED EFX, W/	16
PPP00000045391101	ASSY, HANDLEBAR, LEFT, C524/C546NAV	21
PPP00000045391102	ASSY, HANDLEBAR, RIGHT, C524/C546NA	22
PPP00000045137211	CPU, PGMD, EFX, SELF POWER 3-PHASE,	27
PPP00000011415102	COUPLER,MOD,8P8C,INLINE,SNAP-IN	29
PPP00000049725101	RECEIVER, WIRELESS, HEART RATE, HIG	30
PPP00000045082101	TOUCH SENSOR SHIELD,9 KEY	35
PPP00000043329102	WIRE FORM,PLASTIC,COMMERCIAL	36
PPP00000044487101	WELD, ARC TUBE, THREADED, 5.23,PT	37
PPP00000044379101	COVER,FRONT,RIGHT,CHARCOAL GRAY	38
PPP00000044454101	COVER,FRONT,LEFT,CHARCOAL GRAY	39
PPP00000044555101	ASSY, EFX COVER, FRONT, TOP	40
PPP00000044384101	COVER, UPPER MOUNT, RETAIL EFX, CHA	41
PPP00000044318104	WELD,MAIN TUBE,RIGHT,RETAIL EFX,PT	42
PPP00000044318103	WELD,MAIN TUBE,LEFT,RETAIL EFX,PT	43
PPP00000045400102	ASSY, RAMP, C524	44
PPP00000044333103	ASSY, RAMP, LIFT BRKT, RETAIL EFX	45
PPP00000045517103	ASSY, LIFT NUT AND YOKE	46
PPP00000044344206	STAIRARM RAIL,5.23 EFX,PT [2X1.25X0	47
PPP00000048337101	ASSY, STAIRARM WHEEL, CONSUMER EFX,	49
PPP000000037314108	PEDAL, FOOT	50
PPP00000044363103	ASSEMBLY, CRANK ARM, RETAIL, W/PRES	58
PPP00000044947101	ASSEMBLY, DRIVE INPUT,SP EFX	61
PPP000000010217133	BELT, DRIVE, 340J16 POLY V	62
PPP000000044944101	ASSY,STEP-UP PULLEY,SP,EFX	63
PPP000000010217121	BELT, POLY-V, 44 , 440J6	64
PPP000000044739103	ASSEMBLY,SP,GENERATOR	65
PPP000000039700101	ASSEMBLY, RESISTOR, 240W	69
PPP00000045969101	ASSY, BATTERY W/CABLE,SLA,12V,12AH,	72
PPP00000045908105	BRACKET, BATTERY, LARGE, SELF POWER	73
PPP00000044940101	ASSY,DRIVE WLDMT,SP EFX	75
PPP00000044527106	ASSY, EFX COVER, RIGHT SIDE	76
PPP00000044527108	ASSY, EFX COVER, LEFT SIDE, SP	77
PPP00000044479101	ASSY, FRONT PANEL, EFX COVER, REAR	78
PPP00000043707102	SUPPORT, REAR COVER,CHARCOAL GRAY	79
PPP00000043840101	WEDGE, REAR COVER, EFX,CHARCOAL GRA	80
PPP00000043610102	LABEL, EFX COVER, REAR	81
PPP00000038215103	LABEL,EFX LOGO,REAR COVER,DURO-LENZ	82
PPP00000045111103	LABEL,WIRING DIAGRAM,C556,SELF PWR	83
PPP00000045252035	ASSY,CBL,2C,PWR JACK/.08 RECP,35"	84
PPP00000043179103	BACKPLATE, DISPLAY, COMMERCIAL, CHA	85
PPP00000011406103	FOOT, LEVELER, RUBBER BASE, 1.5"LG	86
PPP00000044916102	FOOT, ADJUSTABLE	87
PPP000000037535102	FOOT, FIXED	88
PPP000000038301101	ASSY,PIVOT BLOCK	89

C524 (serial code I7, K7, LH)

Part Number	Description	Bubble Number
PPP00000044480102	ASSY, TOP PANEL, EFX COVER, REAR	90
PPP00000011075110	FUSE,6.30A,250VAC,SLOW,RADIAL	94
PPP000000012264101	RJ-45 TELEPHONE JACK PLUG	101
PPP000000045359101	LABEL, ACCESSORY TRAY,EN, C524	152
PPP000000044358501	ASSY,CBL,KEYPAD,C3-12PIN TO 9 PIN	154
PPP000000037499103	CLAMP, HANDLEBAR,BLACK, PT	176
PPP00000CATN025125	SCREW,SKHD,1/4-20X1.25,BLK SHARPERI	177
PPP00000PNKN025075	SCREW,PANHD,PHIL,TYPEF,1/4-20X.75,B	178
PPP00000CATN025088	SCREW,SKHD,1/4-20X7/8,BLK SHARPERIZ	201
PPP000000011476102	PIN, RING, LOCKOUT	202
PPP0000WATNN020002	WASHER, LK-INT, #10, ID=.200,	203
PPP00000CBTN019050	SCREW,SKHD,#10X32X0.50,BLK SHRPRZD	204
PPP000000047546101	LABEL, CAUTION	251
PPP000000010136103	CLIP,U TYPE, TINNERMAN, 1/4-20	252
PPP000000050583101	CS KIT, FOOT PEDAL PLUG, EFX, 12 PC	270
PPP000000048340101	SPACER, RAIL, URETHANE	276
PPP00000TENE006010	SCREW,BTTNHD,SKT C/S,M6X1X10MM	277
PPP00000KDTN031025	LOCKNUT, FULL, 5/16-18,BLK SHARPERI	278
PPP00000KATN031016	LOCKNUT,HALF, 5/16-18,BLK SHARPERIZ	279
PPP00000RANN031200	SCREW,SHLD,5/16 X 2,HEXSC	280
PPP00000HATN031200	SCREW, HEX HD, 5/16-18 X 2, BLK SHA	281
PPP00000WEGN031007	WASHER, FLT, 5/16X.688X.065,SS, BLK	284
PPP000000048340102	SPACER, RAIL ,URETHANE, RED	295
PPP00000AAHN063003	RING, RETAINER, 5/8, EXTERNAL	302
PPP000000010178107	BUSHING, SNAP	303
PPP000000010178112	BUSHING, SNAP	304
PPP000000012240101	CLAMP, CABLE	306
PPP000000045205102	ASSY,CBL,18AWG,6P5C,MINI-FIT,102"	308
PPP000000045254040	ASSY,CBL,3C,18AWG,MINIFIT/QK DISC	309
PPP00000CATN031075	SCREW,SKHD,5/16-18X0.75,BLK SHARPER	311
PPP00000CBTN016100	SCREW,SKHD,8-32X1,BLK SHARPERIZED	312
PPP00000CCGN038150	SCREW,SKHD,3/8-16X1.50,BLK OXIDE	313
PPP00000HJCN031175	SCREW,HEX,5/16-18X1.75 ,ZINC,FULLY	314
PPP00000KACN038015	LOCKNUT,HALF,3/8-16,ZN	315
PPP00000KECN016019	LOCKNUT, FULL 8-32, ZINC	316
PPP00000KMCN031023	NUT, HEX, 5/16-18, ZINC	317
PPP00000FTTN025075	SCREW,BTHD,1/4-20X3/4,BLK SHARPERIZ	318
PPP00000PKCN019075	SCREW,S/T,#10X.75,WSHXXHD,ZN	319
PPP00000PNKN025050	SCREW,PANHD,PHIL,TYPEF,1/4-20X.5,BZ	320
PPP00000RATN038125	SCREW,SHLD,3/8 X 1-1/4,HEXSC,BLK SH	321
PPP00000KGCN031027	LOCKNUT,STARWASHER,5/16-18,1/2	322
PPP00000TCNN038275	SCREW, BTHD,3/8-16X 2.75, SS	323
PPP0000WAGNN062001	WASHER, WAVE, .87 OD X .62 ID	324
PPP0000WAGNN048001	WASHER,WAVE (SSR-0062)	325
PPP0000WBFNN047002	WASHER,MYLAR,7/16	326
PPP00000WNNN051002	WASHER,SHIM,1/2X3/4X.020THK	327
PPP00000WNNN063001	WASHER, FLT, 5/8X.880X.010	328
PPP00000WPNN038006	WASHER, FLAT, 3/8 X 1/16 THK,	329
PPP00000WRCN031009	WASHER,GRADE 8,3/8,13/32 ID,13/16OD	330
PPP00000KDKN038034	LOCKNUT,FULL,3/8-16,BLK ZN	333
PPP00000WNNN032009	WASHER,FLT, .321X1.00X.090 THK	351
PPP00000HTKT008018	BOLT,SHIMANO CRANK,M8X18MM, NYLK	352
PPP00000WRCN038011	WASHER,GRADE 8,3/8,13/32 ID,13/16OD	353

C524 (serial code I7, K7, LH)

Part Number	Description	Bubble Number
PPP00000KGCN038033	LOCKNUT, STARWASHER, 3/8-16	354
PPP000000037385101	BRACKET, TENSIONER	355
PPP000000037855103	TAB, LOCKING	356
PPP00000HACN025250	SCREW,1/4-20X2-1/2,HEX,GR 2,ZN	357
PPP000000011278101	CABLE CLAMP,INSERT	358
PPP00000PKCN019050	SCREW,S/T,#10X1/2,WSHHXHD,ZN	360
PPP000000012289806	SPCR,SELFRETAIN,NYLN,#8(M-4),3/8"	361
PPP000000044966102	PLATE,CHARGER CONNECTOR,SP, EFX	401
PPP00000MGKN013025	SCREW,MCH,6-32X1/4,PANHD,PHIL,	402
PPP000000045910101	TAB, BATTERY BRACKET, SELF-POWERED	457
PPP00000KGCN025020	LOCKNUT,STARWASHER,1/4-20,ZN	458
PPP000000047098031	ASSY,CBL, HIGH TEMP, 600V,	459
PPP000000047098027	ASSY,CBL, HIGH TEMP, 600V,	460
PPP00000PMTN016050	SCREW,TCS,#8X1/2,PHIL,BLK SHARPERIZ	461
PPP000000012103101	CLAMP,CABLE,VINYL COATED	462
PPP000000010379109	GROMMET, 49/64 OD, 1/4 ID	463
PPP00000KNCN019013	NUT,HEX,10-32,ZINC	464
PPP00000PKCN019075	SCREW,S/T,#10X.75,WSHHXHD,ZN	526
PPP00000WBCN019005	WASHER, SAE, #10, ZN	527
PPP000000044495101	KIT, HARDWARE, THREADED, 5.23	901
PPP000000010186101	WRENCH, ALLEN, 5/32	902
PPP000000010186103	WRENCH, ALLEN, 3/16	903
PPP000000011311101	ENDCAP, REC TUBE, BLACK PLASTIC, 50	904
PPP00000HATN038100	SCREW,HEXHEAD,GRADE2,3/8-16X1,BLK S	905
PPP00000KPCN031019	NUT,HEX THIN,5/16-18,ZN	906
PPP00000MGTN025050	SCREW, PANHD, 1/4-20 X .5, BLK SHAR	907
PPP00000TFTN025075	SCREW,BTHD,1/4-20X3/4,BLK SHARPERIZ	908
PPP00000WEGN038007	WASHER, FLT, 3/8, ID=.406, SS, BLK	909
PPP000000045371103	KIT, LITERATURE, C524	999